

2 and 3-Wire Receptacles, Front Mount, 1/4-18 NPT Threads

Part Number Keys are to assist in IDENTIFICATION ONLY. Consult factory for catalog items not identified.

D-Size (1 3/8") Powerfast Tees

Trunk(1) Identifier
 K = female connector
 S = male connector

Coupling Nut Material
 A = anodized aluminum
 M = nickel plated brass
 V = 316 stainless steel

D-Size (1 3/8") Powerfast Tees

Trunk(2) and Drop(3) Identifiers

2GKDM = female trunk(2) and female drop(3)
 GSDM/GKDM = male trunk(2) and female drop(3)
 GKDM/T = female trunk (2) and cable drop(3)
 GKDM/RKM = female trunk(2) and female A-Size Power drop(3)
 GKDM/BKM = female trunk(2) and female M16 Power drop(3)

G S D M / 2GKDM

30 - * - /S..

Varieties

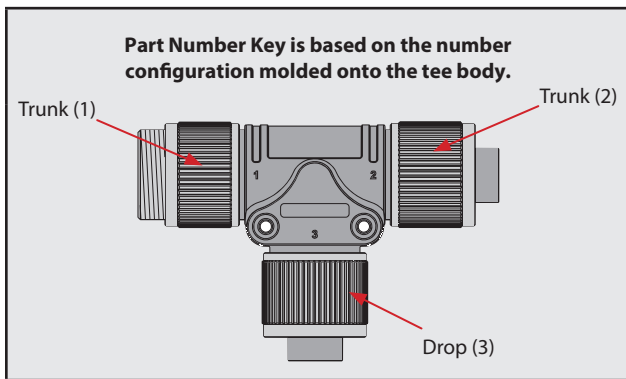
- /S = consult factory, special
- /CS = consult factory, special
- /S4000 = designates TC-ER cable

Length in Meters

Number of Wires / AWG / Color Codes

- 30 = 3x10 AWG BK, GN, WH
- 32 = 3x12 AWG BK, GN, WH
- 34 = 3x14 AWG BK, GN, WH
- 40 = 4x10 AWG BK, GN, RD, WH
- 42 = 4x12 AWG BK, GN, RD, WH
- 44 = 4x14 AWG BK, GN, RD, WH

Note: Only one male connector per tee available.
 Standard female coupling nut material for A-Size Power drop and M16 Power drop is nickel plated brass.



Tee Examples

G S D M / 2 G K D M 30

G S D M / G K D M / R K M 44 - *

D-Size 1 3/8" powerfast